

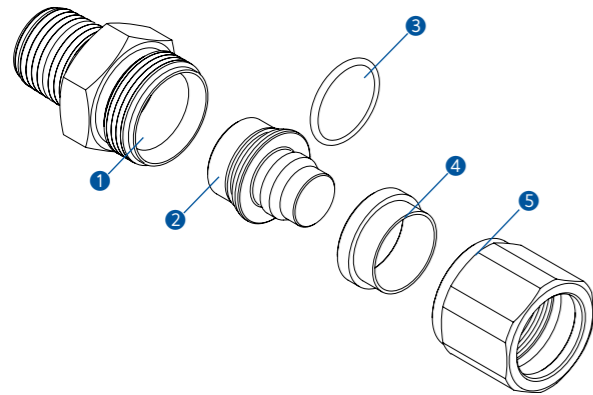
**Hose
Fittings**



Features

- UHFM the structure and assembly is simple.
- To prevent separation of the hose.
- The Body can be replaced with UMC or UME.
(UMC = Male Connector, UME = Male Elbow)
- It can be disassembled and reassembled.

Materials of Construction



| No. | Description | Materials |
|-----|-------------|-----------|
| 1 | BODY | 316SS |
| 2 | INSERT | 304SS |
| 3 | O-RING | FKM |
| 4 | SLEEVE | POLYCETAL |
| 5 | FEMALE NUT | 316SS |

Assembly Method

- Cut the hose surface evenly.
- Insert the nut and sleeve on the hose.
- Insert the hose in the insert parts.
(The surface of the hose should touch the wall at the end of insert parts.)
- Insert the nut and sleeve on the hose.
- The nut is assembled to touch the body wall.

Working Pressure

| Hose Size (mm) I.D.*O.D. | Working Pressure (MPa) |
|-----------------------------|------------------------|
| 6*11-10*16 | 0-1.0 |
| 12*18-15*22 | 0-0.8 |
| 19*26-25*33 | 0-0.6 |
| 32*41 | 0-0.4 |

- Available Hose : Soft PVC
- Use the hose size indicated in the catalog.
- Working pressure is can be changed by used hose.

Cleaning

UNILOK Hose fittings are free from machine oils, loose particles and grease throughout the close cleaning process.

Important Notification

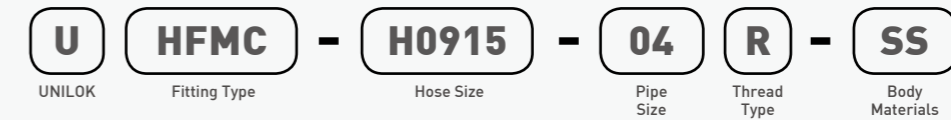
Proper installation, materials compatibility, operation and maintenance of these valves are the responsibility of the user. The total system design must be taken into consideration to ensure optimal Performance and safety.

thread is applied depends on the body.

How To order

UNILOK UHFM series Hose Fitting are ordered by part number as shown below.

Example: The following part number, *UHFC-H0915-04R-SS* is designated for UHFM series Hose Fitting, Body Type UMC, Hose Size(I.D.*O.D) 09*15, Body thread 1/4"PT, 316SS.



| Fitting Type | |
|----------------|------|
| Male Connector | HFMC |
| Male Elbow | HFME |

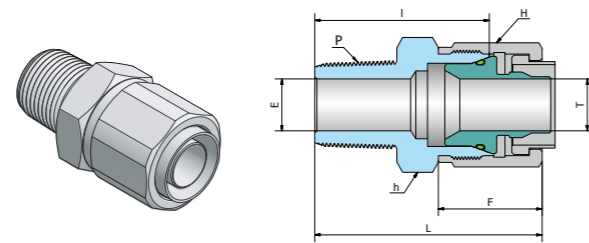
| Hose Size | | | | | | | | |
|-----------------------|----|--------|-------|-------|-------|-------|-------|-------|
| Hose Size (I.D.*O.D.) | mm | 8*13.5 | 9*15 | 10*16 | 12*18 | 15*22 | 19*26 | 25*33 |
| Designator | | H0813 | H0915 | H1016 | H1218 | H1522 | H1926 | H2533 |

| Pipe Size Designation (NPT or ISO7/1-PT) | | | | | | |
|--|-----|-----|-----|-----|-----|----|
| Pipe Size | 1/8 | 1/4 | 3/8 | 1/2 | 3/4 | 1 |
| Designator | 02 | 04 | 06 | 08 | 12 | 16 |

| Thread Type Designation | | |
|-------------------------|-------------|-------------------------------|
| Designator | Thread Type | |
| N | NPT | National Standard Pipe Thread |
| R | ISO 7/1 | Taper Pipe Thread |

| Body Materials | |
|----------------|-------|
| Designator | SS |
| Materials | 316SS |

UHFC

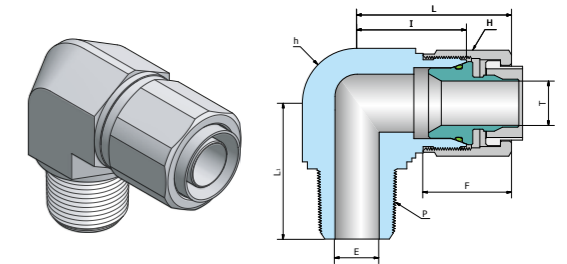


| Part No. | P ISO7/1 | Dimensions (mm) | | | | | | | | |
|----------------|-------------|-----------------|--------|-------|--------|-------|------|------|------|------|
| | | E Min. | H | | h | | L | F | I | T |
| | | | inch | mm | inch | mm | | | | |
| UHFC-H0611-02R | 1/8 | 4.8 | 15/16 | 23.81 | 13/16 | 20.63 | 39.1 | 22.0 | 28.7 | 6.0 |
| UHFC-H0611-04R | 1/4 | 7.1 | 15/16 | 23.81 | 13/16 | 20.63 | 43.7 | 22.0 | 33.3 | 6.0 |
| UHFC-H0611-06R | 3/8 | 9.7 | 15/16 | 23.81 | 13/16 | 20.63 | 43.7 | 22.0 | 33.3 | 6.0 |
| UHFC-H0611-08R | 1/2 | 10.4 | 15/16 | 23.81 | 7/8 | 22.22 | 49.3 | 22.0 | 38.9 | 6.0 |
| UHFC-H0611-12R | 3/4 | 10.4 | 15/16 | 23.81 | 1-1/16 | 26.98 | 50.8 | 22.0 | 40.4 | 6.0 |
| UHFC-H0611-16R | 1 | 10.4 | 15/16 | 23.81 | 1-3/8 | 34.92 | 57.4 | 22.0 | 47.0 | 6.0 |
| UHFC-H0813-02R | 1/8 | 4.8 | 15/16 | 23.81 | 13/16 | 20.63 | 39.1 | 22.0 | 28.7 | 8.0 |
| UHFC-H0813-04R | 1/4 | 7.1 | 15/16 | 23.81 | 13/16 | 20.63 | 43.7 | 22.0 | 33.3 | 8.0 |
| UHFC-H0813-06R | 3/8 | 9.7 | 15/16 | 23.81 | 13/16 | 20.63 | 43.7 | 22.0 | 33.3 | 8.0 |
| UHFC-H0813-08R | 1/2 | 10.4 | 15/16 | 23.81 | 7/8 | 22.22 | 49.3 | 22.0 | 38.9 | 8.0 |
| UHFC-H0813-12R | 3/4 | 10.4 | 15/16 | 23.81 | 1-1/16 | 26.98 | 50.8 | 22.0 | 40.4 | 8.0 |
| UHFC-H0813-16R | 1 | 10.4 | 15/16 | 23.81 | 1-3/8 | 34.92 | 57.4 | 22.0 | 47.0 | 8.0 |
| UHFC-H0915-04R | 1/4 | 7.1 | 15/16 | 23.81 | 15/16 | 23.81 | 44.7 | 22.5 | 34.0 | 9.0 |
| UHFC-H0915-06R | 3/8 | 9.7 | 15/16 | 23.81 | 15/16 | 23.81 | 44.7 | 22.5 | 34.0 | 9.0 |
| UHFC-H0915-08R | 1/2 | 11.9 | 15/16 | 23.81 | 15/16 | 23.81 | 49.6 | 22.5 | 38.9 | 9.0 |
| UHFC-H0915-12R | 3/4 | 12.7 | 15/16 | 23.81 | 1-1/16 | 26.98 | 51.1 | 22.5 | 40.4 | 9.0 |
| UHFC-H1016-04R | 1/4 | 7.1 | 15/16 | 23.81 | 15/16 | 23.81 | 44.7 | 22.5 | 34.0 | 10.0 |
| UHFC-H1016-06R | 3/8 | 9.7 | 15/16 | 23.81 | 15/16 | 23.81 | 44.7 | 22.5 | 34.0 | 10.0 |
| UHFC-H1016-08R | 1/2 | 11.9 | 15/16 | 23.81 | 15/16 | 23.81 | 49.6 | 22.5 | 38.9 | 10.0 |
| UHFC-H1016-12R | 3/4 | 12.7 | 15/16 | 23.81 | 1-1/16 | 26.98 | 51.1 | 22.5 | 40.4 | 10.0 |
| UHFC-H1218-06R | 3/8 | 10.4 | 1-1/16 | 26.98 | 1-1/16 | 26.98 | 47.6 | 24.0 | 35.4 | 12.0 |
| UHFC-H1218-08R | 1/2 | 11.9 | 1-1/16 | 26.98 | 1-1/16 | 26.98 | 52.6 | 24.0 | 40.4 | 12.0 |
| UHFC-H1218-12R | 3/4 | 15.7 | 1-1/16 | 26.98 | 1-1/16 | 26.98 | 52.6 | 24.0 | 40.4 | 12.0 |
| UHFC-H1218-16R | 1 | 15.7 | 1-1/16 | 26.98 | 1-3/8 | 34.92 | 59.2 | 24.0 | 47.0 | 12.0 |
| UHFC-H1522-12R | 3/4 | 15.7 | 1-1/4 | 31.75 | 1-3/16 | 30.16 | 53.6 | 25.0 | 40.4 | 15.0 |
| UHFC-H1522-16R | 1 | 18.3 | 1-1/4 | 31.75 | 1-3/8 | 34.92 | 60.2 | 25.0 | 47.0 | 15.0 |
| UHFC-H1926-08R | 1/2 | 11.9 | 1-1/2 | 38.10 | 1-3/8 | 34.92 | 58.2 | 27.0 | 45.2 | 19.0 |
| UHFC-H1926-12R | 3/4 | 15.7 | 1-1/2 | 38.10 | 1-3/8 | 34.92 | 58.2 | 27.0 | 45.2 | 19.0 |
| UHFC-H1926-16R | 1 | 22.4 | 1-1/2 | 38.10 | 1-3/8 | 34.92 | 63.0 | 27.0 | 50.0 | 19.0 |
| UHFC-H2533-16R | 1 | 22.4 | 1-1/4 | 44.45 | 1-3/4 | 44.45 | 75.9 | 37.5 | 55.1 | 25.0 |
| UHFC-H2533-20R | 1-1/4 | 27.7 | 1-1/4 | 44.45 | 1-3/4 | 44.45 | 75.9 | 37.5 | 55.1 | 25.0 |

NPT threads are available for all metric UHFC. To order, add "N" as a suffix instead of "R".

Dimensions are for reference only and are subject to change without prior notice.

UHFE



| Part No. | P ISO7/1 | Dimensions (mm) | | | | | | | | | |
|----------------|-------------|-----------------|--------|-------|---------|-------|------|----------------|------|------|------|
| | | E Min. | H | | h | | L | L ₁ | F | I | T |
| | | | inch | mm | inch | mm | | | | | |
| UHFE-H0611-04R | 1/4 | 7.1 | 15/16 | 23.81 | 13/16 | 20.63 | 36.3 | 28.3 | 22.0 | 25.9 | 6.0 |
| UHFE-H0611-06R | 3/8 | 9.7 | 15/16 | 23.81 | 13/16 | 20.63 | 36.3 | 28.3 | 22.0 | 25.9 | 6.0 |
| UHFE-H0611-08R | 1/2 | 10.4 | 15/16 | 23.81 | 13/16 | 20.63 | 36.3 | 33.0 | 22.0 | 25.9 | 6.0 |
| UHFE-H0813-02R | 1/8 | 4.8 | 15/16 | 23.81 | 13/16 | 20.63 | 36.3 | 23.3 | 22.0 | 25.9 | 8.0 |
| UHFE-H0813-04R | 1/4 | 7.1 | 15/16 | 23.81 | 13/16 | 20.63 | 36.3 | 28.3 | 22.0 | 25.9 | 8.0 |
| UHFE-H0813-06R | 3/8 | 9.7 | 15/16 | 23.81 | 13/16 | 20.63 | 36.3 | 28.3 | 22.0 | 25.9 | 8.0 |
| UHFE-H0813-08R | 1/2 | 10.4 | 15/16 | 23.81 | 13/16 | 20.63 | 36.3 | 33.0 | 22.0 | 25.9 | 8.0 |
| UHFE-H0915-04R | 1/4 | 7.1 | 15/16 | 23.81 | 15/16 | 23.81 | 37.6 | 30.2 | 22.5 | 26.9 | 9.0 |
| UHFE-H0915-06R | 3/8 | 9.7 | 15/16 | 23.81 | 15/16 | 23.81 | 37.6 | 30.2 | 22.5 | 27.9 | 9.0 |
| UHFE-H1016-04R | 1/4 | 7.1 | 15/16 | 23.81 | 15/16 | 23.81 | 37.6 | 30.2 | 22.5 | 26.9 | 10.0 |
| UHFE-H1016-06R | 3/8 | 9.7 | 15/16 | 23.81 | 15/16 | 23.81 | 37.6 | 30.2 | 22.5 | 27.9 | 10.0 |
| UHFE-H1016-08R | 1/2 | 11.9 | 15/16 | 23.81 | 15/16 | 23.81 | 37.6 | 35.1 | 22.5 | 27.9 | 10.0 |
| UHFE-H1218-04R | 1/4 | 7.1 | 1-1/16 | 26.98 | 1-1/16 | 26.98 | 41.9 | 31.9 | 24.0 | 29.7 | 12.0 |
| UHFE-H1218-06R | 3/8 | 9.7 | 1-1/16 | 26.98 | 1-1/16 | 26.98 | 41.9 | 31.9 | 24.0 | 29.7 | 12.0 |
| UHFE-H1218-08R | 1/2 | 11.9 | 1-1/16 | 26.98 | 1-1/16 | 26.98 | 41.9 | 36.8 | 24.0 | 29.7 | 12.0 |
| UHFE-H1218-12R | 3/4 | 15.7 | 1-1/16 | 26.98 | 1-1/16 | 26.98 | 41.9 | 36.8 | 24.0 | 29.7 | 12.0 |
| UHFE-H1926-12R | 3/4 | 15.7 | 1-1/2 | 38.10 | 1-3/8 | 34.92 | 49.8 | 41.7 | 27.0 | 36.8 | 19.0 |
| UHFE-H1926-16R | 1 | 22.4 | 1-1/2 | 38.10 | 1-3/8 | 34.92 | 49.8 | 46.5 | 27.0 | 36.8 | 19.0 |
| UHFE-H2533-16R | 1 | 22.4 | 1-3/4 | 44.45 | 1-11/16 | 42.86 | 64.8 | 51.3 | 37.5 | 44.0 | 25.0 |
| UHFE-H2533-20R | 1-1/4 | 27.7 | 1-3/4 | 44.45 | 1-11/16 | 42.86 | 64.8 | 51.1 | 37.5 | 44.0 | 25.0 |

NPT threads are available for all metric UHFE. To order, add "N" as a suffix instead of "R".

Dimensions are for reference only and are subject to change without prior notice.